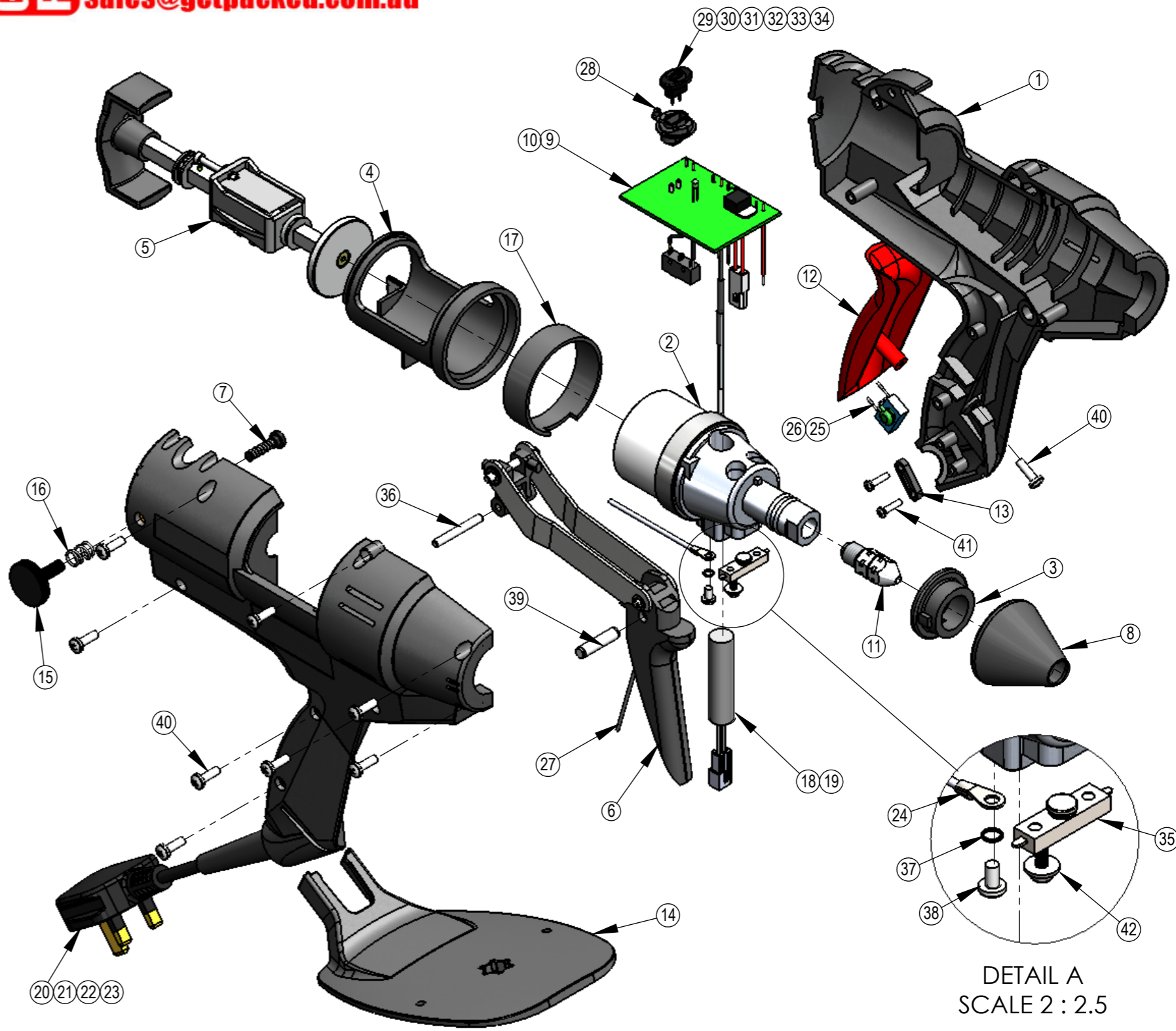


ITEM NO.	PART NUMBER	REVISION	DESCRIPTION	QTY
1	PA3077	REL-01	3200 Handles (Pair)	1
2	ADD090	REL-01	Heater Housing Assy Tec 3400	1
3	PA3040	REL-01	Heater Housing Spacer	1
4	PA3035	REL-01	Rear Barrel	1
5	PA3084	REL-02	Feed Bar/Mech Assy. - 3200	1
6	PA3082	REL-01	Feed Link/Trigger Assy.	1
7	PA3083	REL-01	Snubber Assy.	1
8	PA3041	REL-01	Nozzle Shroud	1
9	AED090	REL-01	Temp Control Assy - 230V	1
10	AED091	REL-01	Temp Control Assy - 120V	1
11	ADJ023	REL-01	Nozzle Assy 3.5mm	1
12	PA3002-RD	REL-01	Handle Grip	1
13	NDN082	REL-01	Cord Clamp	1
14	NDN005	REL-02	Heavy Duty 6000 Stand	1
15	FSZ004	REL-01	Thumb Screw M6 - 20	1
16	FPD005	REL-01	Compression Spring	1
17	PA3044	REL-01	Barrel Support	1
18	PA3087	REL-01	Heater Assy. 230V	1
19	PA3086	REL-01	Heater Assy. 120V	1
20	PA6066	REL-01	UK Cordset Assy. 3 Core 3m	1
21	PA6065	REL-01	Euro Cordset Assy. 3 Core 3m	1
22	AJR036	REL-01	110v Cordset Assy 3 Core 3m	1
23	PA8022	REL-01	US Cordset Assy. 3 Core 3m	1
24	PA4028	REL-01	Earth Wire Assy.	1
25	PA3080	REL-01	Capacitor/VDR Assy. 240V	1
26	PA3081	REL-01	Capacitor/VDR Assy. 120V	1
27	PA3057	REL-01	Trigger Spring	1
28	NDN093	REL-01	Module Receptacle	1
29	AED084	REL-01	Plug-In Module 195C	1
30	AED081	REL-01	Plug-In Module Lowmelt	1
31	AED082	REL-01	Plug-In Module 160C	1
32	AED083	REL-01	Plug-In Module 180C	1
33	AED085	REL-01	Plug-In Module 205C	1
34	AED086	REL-01	Plug-In Module 215C	1
35	AED092	REL-01	Thermal Fuse Assy 3400	1
36	PA3017		Dowel Pin - 4 x 32 Lg.	1
37	PA1042		Washer 4BA Spring	1
38	PA1032		Screw 4BA x 1/4" Pozi Pan	1
39	PA3062		Dowel Pin - 6 x 26 Lg.	1
40	PA3045		Screw 4 x 12mm Plastite Pozi Pan	9
41	H019A		Screw #4 x 1/2"	2
42	FWZ017		Screw - M3 x 8 Lg Double Washer Sems	1

Get Packed
 02 9452-3566
 sales@getpacked.com.au



DETAIL A
 SCALE 2 : 2.5

MATERIAL	N/A	DRAWN	SteveE	DIMENSIONS ARE IN MM UNLESS OTHERWISE STATED	TOLERANCES UNLESS OTHERWISE STATED WHOLE NUMBERS ±0.5mm 1 DECIMAL PLACE ±0.3mm 2 DECIMAL PLACE ±0.1mm	SCALE 1:1
FINISH	N/A	DATE	11/05/2015			SHEET 1 OF 1
COLOUR	N/A	ECR No.		THIRD ANGLE	TITLE Tec 3400	REVISION REL-01
NOTES From Serial No. 10001			DWG. No. A3			